

Isoleco 1000 baffle – acoustic, hygienic ceiling elements



Product	Dimensions mm		Thickness mm	Weight kg/m ²
Isoleco 1000	1200	600	50	5.3
	1200	450	50	
	1200	300	50	
Deviating dimensions on request				

Product description Isoleco 1000 baffle is an acoustic, hygienically framed ceiling element, which is suspended vertically on the ceiling. The baffle consists of a core of high-quality sound-absorbent glass wool, which is seamlessly and entirely encased in a special white Tedlar foil, mounted in an aluminium frame that has been powder-coated white (RAL 9016) on three sides.

Properties

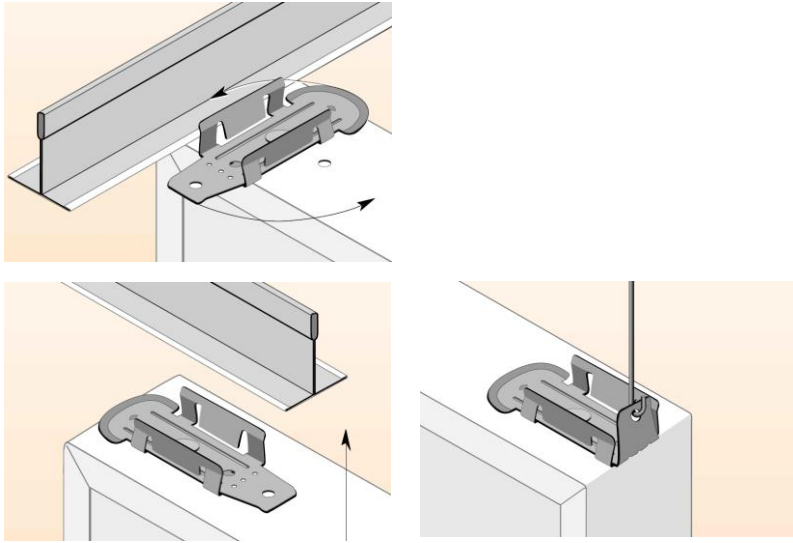
- Excellent sound absorption
- Suitable for indoor application in spaces with a very high and/or strongly fluctuating relative humidity
- Does not form a breeding ground for fungi and bacteria; anorganic, amorphous and germ-free
- Impenetrable for microorganisms and also not affected by these
- Anti-static, UV-resistant and resistant against a large variety of chemicals; it does not cause or promote corrosion
- Excellently cleanable, can be easily dusted off, or cleaned with a vacuum cleaner
- Sustainable, high light reflection and colourfast
- Self-supporting under all climatic conditions
- Bending strength according to EN 13964:2004: 1/C/1.9N
- Diffusion resistance value of Tedlar foil: 2.7
- Reflection capacity light reflection (γ value) 0.72
- Non-combustible and fire-resistant
 - base material (glass wool) in conformity with the ISO 1182,
 - the entire product, including the foil, is fire-resistant.
- Fire propagation:
 - Contribution to the spread of flames, in conformity with NEN 6065: Class 1 (report available)
 - Spread of flames according to NEN 6065: Class 1 (report available)
- Development of smoke according to NEN 6066: 6
- Euro classification EN 13501-1: B, s2, d0

Application

Suitable for application in industry, utility buildings and specific applications in the chemical, pharmaceutical and the foodstuff industry, including cleanrooms, industrial kitchens, operation rooms, bottling plants and breweries

Assembly

By means of the Isoleco® multiclip assembly system, every Isoleco baffle can be installed in three different manners; a direct installation on the ceiling is also possible by using the multiclip and omega profiles. The baffles have been provided with an alignment spring that was developed by ATIS, with which a taut installation can be realised.



Maintenance

Cleaning of Isoleco 1000 baffles:

- Manual cleaning: the ceiling can be cleaned with lukewarm water, in which a neutral cleaning agent has been dissolved.
- Spray-extraction cleaning: a combination of pumping and suction equipment is used in this cleaning method. The equipment is provided with a special spraying/suction nozzle, whereby water with a lightly alkaline cleaning agent is sprayed against the ceiling and is immediately sucked up again. As good as no water is spilled with this process.
- Foam cleaning: A lightly alkaline foam cleaning agent is sprayed against the ceiling with a spray gun; the ceiling is then sprayed off, after the prescribed soaking time.