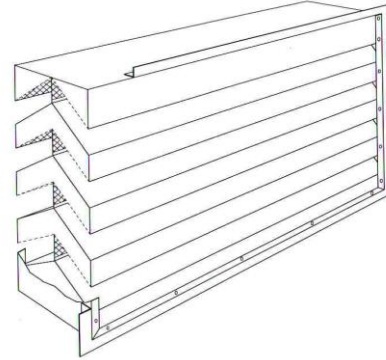


SOUND INSULATION

SONODAMP SOUND-DAMPING AIR GRILLES



- Product description** Sonodamp sound-damping air grilles operate on the principle of absorption. They combine good sound damping with low air resistance. As standard, the grilles are made of single-sheet thermal galvanised steel plate, with or without high-quality polyester powder coating. However, the Sonodamp sound-damping air grilles are also available in other types of material, for example stainless steel or aluminum. As standard, the grilles are fitted with bird netting.
- Application** Air-flow inlets and outlets of:
Air-handling spaces
Ventilation spaces
Boiler houses
Generator spaces
Gas stations
Compressor spaces
- Dimensions** Standard grilles of:
Height starting from 350 mm, increasing with 200 mm
Width starting from 300 mm in every desired size

DAMPING VALUES

(in dB per octave band intermediate frequency)

Hz	63	125	250	500	1000	2000	4000	8000
TSD	9	10	11	13	16	20	21	20

