

ABSORPTION

SonoBaffle - sound absorbing vertical ceiling element



Frame	Surface	Color	Dimensions (mm)
galvanized	glass tissue	black / white	1200 x 800 x 50 1200 x 600 x 50
galvanized	glass fabric	black / white	1200 x 800 x 50 1200 x 600 x 50
RAL 9010	glass tissue	black / white	1200 x 800 x 50 1200 x 600 x 50
RAL 9010	glass fabric	black / white	1200 x 800 x 50 1200 x 600 x 50
no frame	PE-foil	white	1200 x 600 x 50
Triangular frames on request			

Description

SonoBaffle is a sound absorbing vertical hanging ceiling element that consists of a solid mineral wool plate equipped with glass fabric or glass tissue and is framed with a four-sided frame.

The frame is galvanized or coated RAL 9010 and can be equipped with high quality (adjustable) mounting hardware.

The frameless baffle consists of a mineral wool plate, sealed in plastic wrapping, made from PE film and is standard delivered with mounting clips. The frameless baffle is suitable in an environment where there is dirt, moisture and oil vapour etc.

Properties

- Excellent sound-absorbing properties
- The solid non-combustible mineral wool has the following properties:
 - No breeding ground for mold growth and rot-proof,
 - Water repellent, non-hygroscopic,
 - Not surface water vapour diffusion $\mu \approx 1.2$; MU1 (DIN EN 12086)
- Fire safety:
 - Class-class 6q. 3/A1 (DIN EN 13501-1)
- Reports:
 - TNO report B-92-0170, NEN 6064

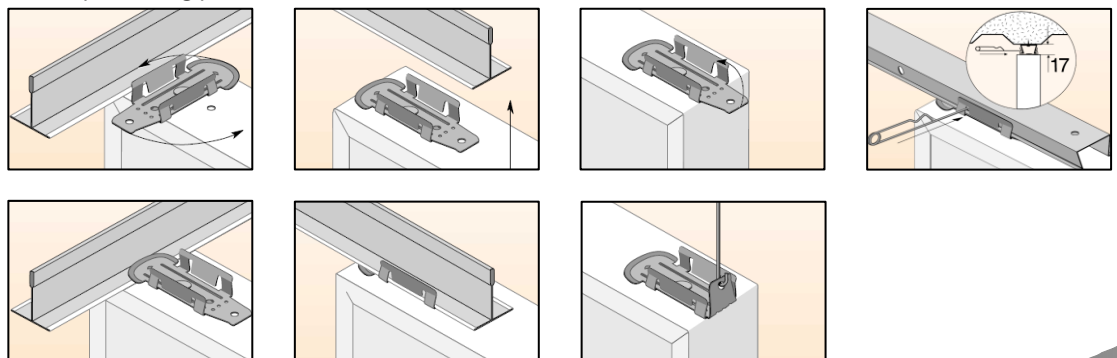
Mounting

The frame of SonoBaffles is equipped with mounting holes, offering the possibility to mount the baffle to almost all building constructions with with special hooks or height adjustable, fast mounting systems for ceiling grids. The mounting holes also allows to link the baffles to each other, maintaining exactly identical distance between each baffle .

Atis International also developed a multi-clip fastening system that can be pre-applied to the top of the frame. this enables the baffles on two way mount to a ceiling profile are confirmed.

The top side of the sealed frameless baffle is provide with a carrier, to which the baffle can be mounted with stainless steel clamps.

Multi-clip fastening possibilities



Application	Production environments, warehouses, shipping areas, offices, schools, care centers, public buildings, etc.
Sizes	See table above Other dimensions/coverings available on request

ABSORPTION VALUE

Absorption materiaal : SonoBaffle
Standard : ISO 354
Measurement : direct on floor

